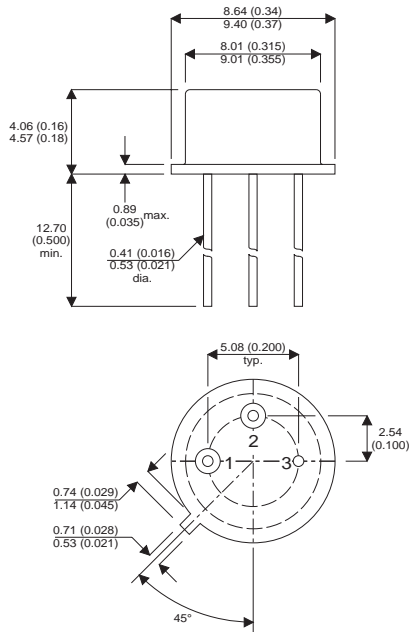


MECHANICAL DATA

Dimensions in mm (inches)



TO39 – Package (TO-205AF)

Underside View

Pin 1 – Source Pin 2 – Gate Pin 3 – Drain

**N-CHANNEL ENHANCEMENT
MODE POWER MOSFET**

BV_{DSS} 500V
I_{D(cont)} 2.5
R_{DS(on)} 1.5Ω

FEATURES

- AVALANCHE ENERGY RATED
- HERMETICALLY SEALED
- DYNAMIC dv/dt RATING
- SIMPLE DRIVE REQUIREMENTS

ABSOLUTE MAXIMUM RATINGS (T_{case} = 25°C unless otherwise stated)

V _{GS}	Gate – Source Voltage	±20V
I _D	Continuous Drain Current (V _{GS} = 10V , T _{case} = 25°C)	2.5A
I _D	Continuous Drain Current (V _{GS} = 10V , T _{case} = 100°C)	1.5A
I _{DM}	Pulsed Drain Current ¹	11A
P _D	Power Dissipation @ T _{case} = 25°C	25W
	Linear Derating Factor	0.2W/°C
E _{AS}	Single Pulse Avalanche Energy ²	0.35mJ
dv/dt	Peak Diode Recovery ³	3.5V/ns
T _J , T _{stg}	Operating and Storage Temperature Range	-55 to +150°C
R _{θJC}	Thermal Resistance Junction to Case	5.0°C/W
R _{θJA}	Thermal Resistance Junction-to-Ambient	175°C/W

Notes

- 1) Pulse Test: Pulse Width ≤ 300μs, δ ≤ 2%
- 2) @ V_{DD} = 50V , Peak I_L = 2.5A , Starting T_J = 25°C
- 3) @ I_{SD} ≤ 2.5A , di/dt ≤ 75A/μs , V_{DD} ≤ BV_{DSS} , T_J ≤ 150°C , SUGGESTED R_G = 7.5Ω

Semelab Plc reserves the right to change test conditions, parameter limits and package dimensions without notice. Information furnished by Semelab is believed to be both accurate and reliable at the time of going to press. However Semelab assumes no responsibility for any errors or omissions discovered in its use. Semelab encourages customers to verify that datasheets are current before placing orders.

Semelab plc. Telephone +44(0)1455 556565. Fax +44(0)1455 552612.

E-mail: sales@semelab.co.uk Website: <http://www.semelab.co.uk>

Document Number 5357

Issue: 1

ELECTRICAL CHARACTERISTICS ($T_{amb} = 25^{\circ}\text{C}$ unless otherwise stated)

Parameter	Test Conditions	Min.	Typ.	Max.	Unit	
STATIC ELECTRICAL RATINGS						
BV_{DSS}	Drain – Source Breakdown Voltage	$V_{GS} = 0$	$I_D = 1\text{mA}$	500	V	
$\frac{\Delta BV_{DSS}}{\Delta T_J}$	Temperature Coefficient of Breakdown Voltage	Reference to 25°C $I_D = 1\text{mA}$		0.43	$\text{V}/^{\circ}\text{C}$	
$R_{DS(on)}$	Static Drain – Source On–State Resistance	$V_{GS} = 10\text{V}$	$I_D = 1.5\text{A}$		1.5	Ω
		$V_{GS} = 10\text{V}$	$I_D = 2.5\text{A}$		1.725	
$V_{GS(th)}$	Gate Threshold Voltage	$V_{DS} = V_{GS}$	$I_D = 250\mu\text{A}$	2	4	V
g_{fs}	Forward Transconductance	$V_{DS} > 15\text{V}$	$I_{DS} = 1.5\text{A}$	1.5		$\text{S}(\tau)$
I_{DSS}	Zero Gate Voltage Drain Current	$V_{GS} = 0$	$V_{DS} = 0.8BV_{DSS}$ $T_J = 125^{\circ}\text{C}$		25	μA
					250	
I_{GSS}	Forward Gate – Source Leakage	$V_{GS} = 20\text{V}$			100	nA
I_{GSS}	Reverse Gate – Source Leakage	$V_{GS} = -20\text{V}$			-100	
DYNAMIC CHARACTERISTICS						
C_{iss}	Input Capacitance	$V_{GS} = 0$			610	pF
C_{oss}	Output Capacitance	$V_{DS} = 25\text{V}$			135	
C_{riss}	Reverse Transfer Capacitance	$f = 1\text{MHz}$			65	
Q_g	Total Gate Charge	$V_{GS} = 10\text{V}$		19.8	29.5	nC
Q_{gs}	Gate – Source Charge	$V_{DS} = 0.5BV_{DS}$		2.2	4.6	
Q_{gd}	Gate – Drain (“Miller”) Charge	$I_D = 2.5\text{A}$		5.5	19.7	
$t_{d(on)}$	Turn–On Delay Time	$I_D = 2.5\text{A}$			30	ns
t_r	Rise Time	$V_{DS} = 0.5BV_{DS}$			30	
$t_{d(off)}$	Turn–Off Delay Time	$R_G = 7.5\Omega$			55	
t_f	Fall Time				30	
SOURCE – DRAIN DIODE CHARACTERISTICS						
I_S	Continuous Source Current				2.5	A
I_{SM}	Pulse Source Current ²	$I_S = 2.5\text{A}$	$V_{GS} = 0$		11	
V_{SD}	Diode Forward Voltage	$I_F = 1.5\text{A}$	$T_J = 25^{\circ}\text{C}$		1.4	V
t_{rr}	Reverse Recovery Time	$I_F = 2.5\text{A}$	$T_J = 25^{\circ}\text{C}$		900	ns
Q_{rr}	Reverse Recovery Charge	$d_i / d_t \leq 100\text{A}/\mu\text{s}$		$V_{DD} \leq 50\text{V}$	7.0	μC
t_{on}	Forward Turn–On Time				Negligible	

Notes

- 1) Pulse Test: Pulse Width $\leq 300\mu\text{s}$, $\delta \leq 2\%$
- 2) Repetitive Rating – Pulse width limited by maximum junction temperature.